

Dialight

CLASS 1, DIV 2 LED White Down Light



ETL Certified to: UL 844, Class 1, Div 2 T5



FEATURES / BENEFITS

- ▲ Low power consumption
- ▲ Universal input supply
- ▲ Suitable for all Class 1, Div 2, Groups A, B, C, D hazardous environments T5 rated
- ▲ Unique optically designed lens to eliminate light scatter
- ▲ State of the art solid state lighting source
- ▲ Self-contained wiring compartment eliminates additional boxes
- ▲ Weather/corrosion resistant lamp assembly and housing
- ▲ 5 year warranty
- ▲ Resistant to shock and vibration

Patent Pending

APPLICATION

Dialight introduces the new state of the art fixture for hazardous location lighting. Its rugged solid state design creates a new era where failed lamps and expensive relamping costs become a thing of the past. This light incorporates both cutting edge LED technology along with proprietary optics to achieve area lighting comparable with other traditional light sources. By focusing the light where it is needed, the HZC Series is the most efficient light source available for hazardous area lighting applications. Whether your application is in a refinery, oil platform, chemical plant or any other Class 1, Division 2 application, this fixture offers improved performance across the board.

OPERATING CONDITIONS

- ▲ The fixture is designed for severe duty conditions and hazardous environments
- ▲ Tested and approved to meet UL844 Class 1 Division 2 and UL1598
- ▲ Temperature range -25°C to +55°C
- ▲ Supply voltage range 120-240 Vac, 50-60Hz
- ▲ Input Power: 47W
- ▲ Power factor corrected

MATERIALS/FINISH

- ▲ Cast aluminum housing and stainless steel hardware
- ▲ Electro-statically applied powdercoat

Dialight Europe Ltd.

Exning Road, Newmarket, England, CB8 0AX
Tel: +44 (0) 1638 666541 • Fax: +44 (0) 1638 561735
www.dialight-obstruction-lights.com


A Subsidiary of Dialight PLC



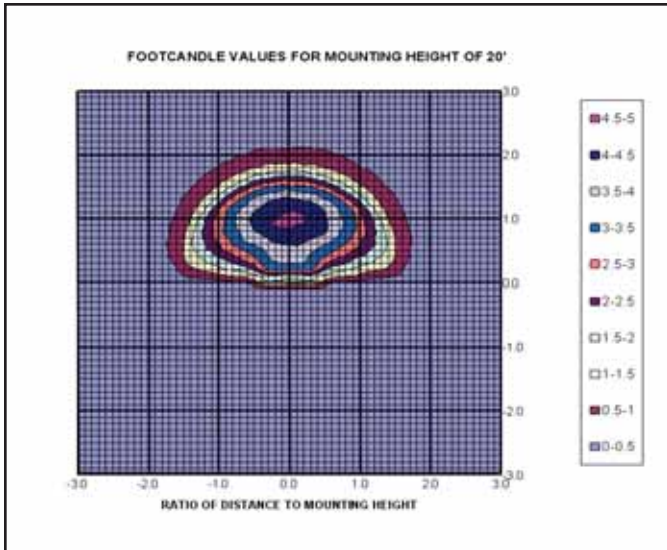
Dialight Corporation

1501 Route 34 South • Farmingdale, NJ 07727 USA
Tel: (1) 732-919-3119 • Fax: (1) 732-751-5778 • www.dialight.com

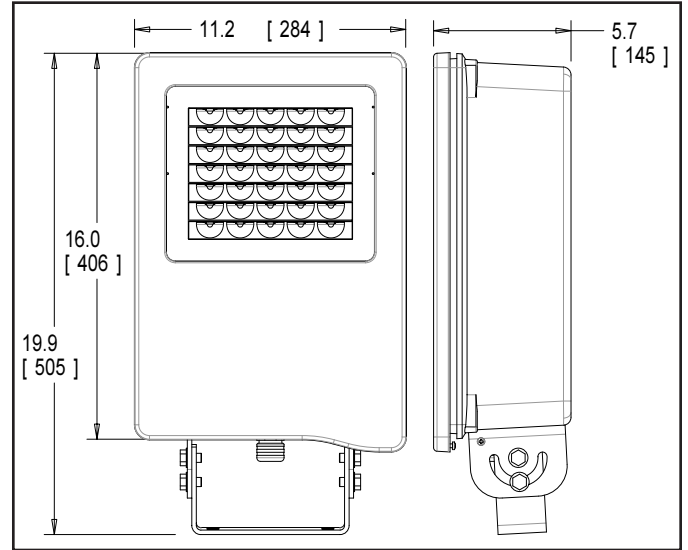


MDTFC1D2WF001_C

PHOTOMETRIC DATA



MECHANICAL DIMENSIONS



Dimensions in Inches. [mm]

ORDERING INFORMATION

| Part Number | Description | Approx. Weight | Container Dimensions |
|-------------------|--------------------------------|----------------|-------------------------|
| HCZ-10100-DAS-001 | Class 1, Div 2 Area Down light | 18 lbs. | 11.75" x 23.35" x 7.50" |

TYPICAL ELECTRICAL PERFORMANCE

| OPERATING VOLTAGE | AMPS | WATTS (W) | VA | PF |
|-------------------|------|-----------|----|-----|
| 120V / 60Hz | 0.4 | 46 | 46 | >.9 |
| 230V / 50Hz | 0.2 | 47 | 47 | >.9 |

Dialight Europe Ltd.

Exning Road, Newmarket, England, CB8 0AX
 Tel: +44 (0) 1638 666541 • Fax: +44 (0) 1638 561735
www.dialight-obstruction-lights.com



A Subsidiary of Dialight PLC



Dialight Corporation

1501 Route 34 South • Farmingdale, NJ 07727 USA
 Tel: (1) 732-919-3119 • Fax: (1) 732-751-5778 • www.dialight.com



MDTFC1D2WF001_C